

ST-48 / ST-72 / ST-49 / ST-96

ST Series

# Temperature PID Controllers



\* CE certification

\* Frequently uses the parameter may freely arrange to commonly used position

\* T/C, RTD. Input selectable

\* Alarm Up to 2 alarm set

\* Pause output

\* 1 Ramp/soak segments

\* Timer

\* Soft start

\* Auto/Manual control mode optional

\* 90V AC to 260V AC 50/60Hz

■ CE 認證

■ 參數可自行規劃

■ 溫度訊號可由軟體直接選擇

■ 二組警報

■ 暫停輸出

■ 單段斜率

■ 計時器

■ 緩啟動

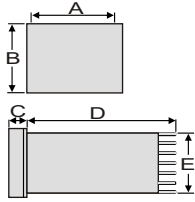
■ 手動/自動控制模式選擇

■ 交換式電源設計

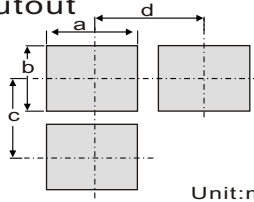


<http://www.hunjoen.com>

## Dimension



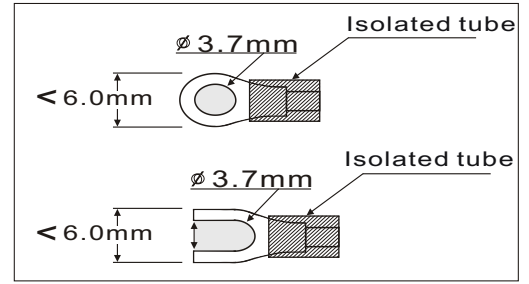
## Panel cutout



Unit:mm

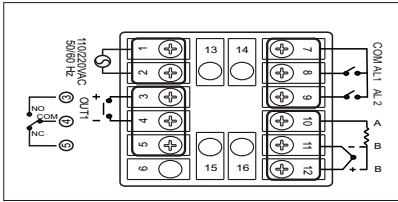
MODEL	A	B	C	D	E	a	b	c	d
ST-48	48	48	10.5	83	45	46 <sup>+0.5</sup> <sub>-0</sub>	46 <sup>+0.5</sup> <sub>-0</sub>	70	70
ST-72	72	72	10.5	83	67	68 <sup>+0.5</sup> <sub>-0</sub>	68 <sup>+0.5</sup> <sub>-0</sub>	100	100
ST-49	48	96	10.5	83	90	46 <sup>+0.5</sup> <sub>-0</sub>	91 <sup>+0.5</sup> <sub>-0</sub>	120	70
ST-96	96	96	10.5	83	90	91 <sup>+0.5</sup> <sub>-0</sub>	91 <sup>+0.5</sup> <sub>-0</sub>	120	120

## Available terminal

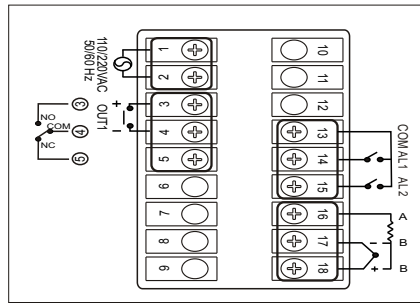


## EXTERNAL TERMINAL

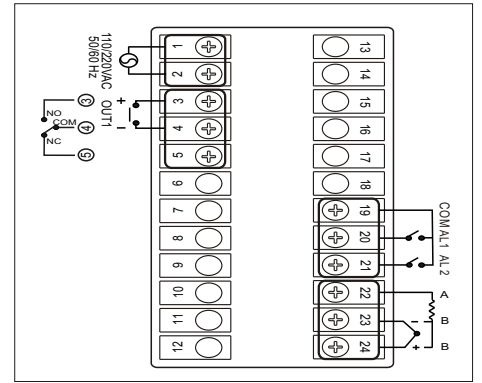
### ST-48



### ST-72



### ST-49 / ST-96



## SPECIFICATIONS

Input Signal	Type of Input	TC (K,J,T,R,E,S,B,N) RTD (Pt100, JPt100)
	Input Sampling Time	300 ms
Indication	PV/SV Indication	4-digit
	Constant Value Storage System	Non-volatile memory (EEPROM)
Control Mode	Proportional Band ( P )	0.0~3000
	Integral Time ( I )	0~7200
	Derivative Time ( D )	0~1800
	Cycle Time	0~150
Control Output	Relay Output Relay	Contact, SPST 3A/240V AC
	Voltage Output	Voltage Pulse
	Linear Output	4~20mA, 1-5V
Alarm	Channel	2 Channels (Optional)
General Specifications	Power Supply Voltage & Frequency	90~260V AC, 50/60Hz
	Power Consumption	<3.5VA
	Ambient Temperature	-10°C~55 °C
	Ambient Humidity	0~80% RH

## ORDERING INFORMATION

### A TYPE

ST-48 = 48\*48  
ST-72 = 72\*72  
ST-49 = 48\*96  
ST-96 = 96\*96

### B INPUT

1=K 7=B  
2=J 8=N  
3=T 9=DIN/PT  
4=R A=J IN/ PT  
5=E  
6=S

### C OUTPUT

0=NONE  
1=RELAY  
2=PULSED  
3=4-20MA

### D ALARM

0 = NONE  
1 = ALARM\*1  
2 = ALARM\*2

A	B	C	D
ST-48	1	1	2

TYPE = 48\*48  
INPUT = K  
OUTPUT = RELAY  
ALARM = ALARM\*2